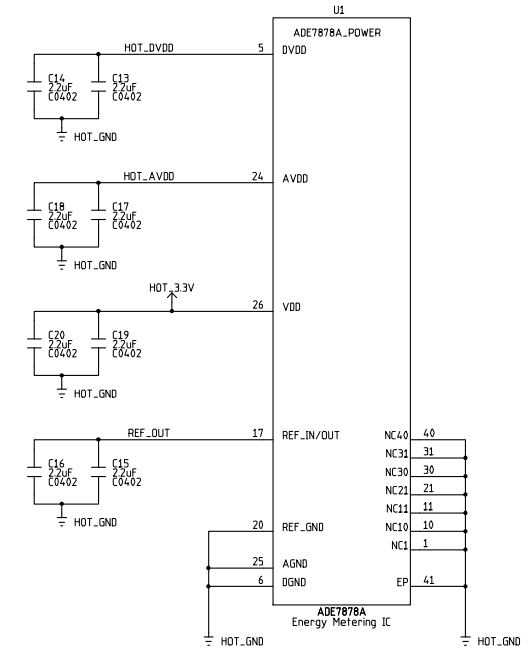
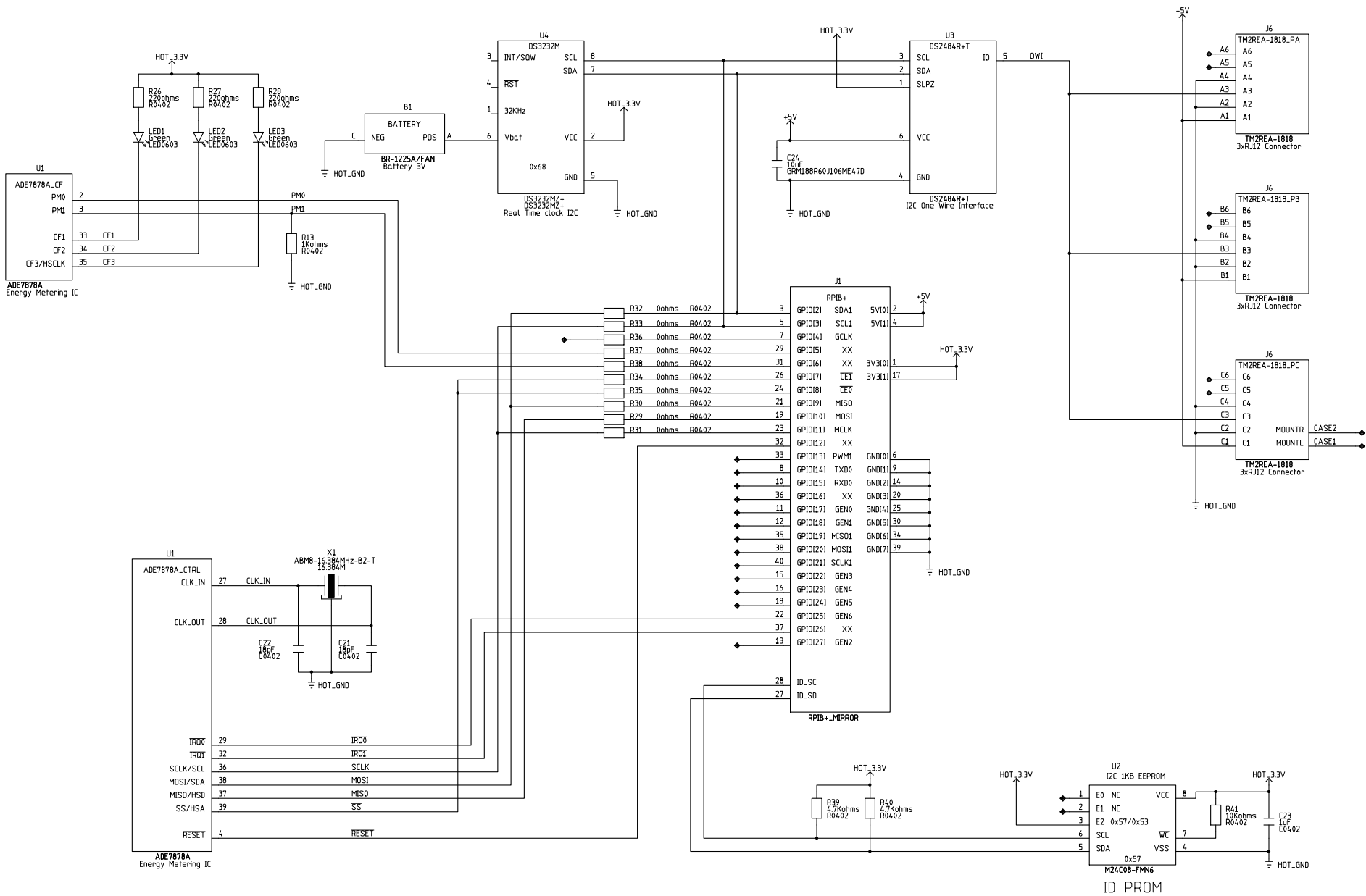


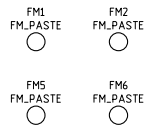
240V RMS
 $P = U \times I$
 $240 / 1M = 0.24mA$
 $P = 240 \times 0.24mA = 0.0576W$







Solder paste FM
Place at every corner, top and bottom layer.



Marvell					
Design	WF_LOOP_N4	Block	LOOP	Drawing	Misc
Author	Nicholas Savenlid	Date	2013-06-13	REV	1.0
				Page	S3